

*a measurable difference...*



## Grammage Cutter

---

### Model: C0042

The Grammage Cutter has been designed to cut 100cm<sup>2</sup> circular paper samples to assess grammage.

Grammage in paper products is calculated from the ratio of mass to area. This is an important factor to know as most paper is bought and sold in accordance with its mass per unit area.

Other values such as bursting strength, thickness and bulk are all determined and interpreted using knowledge of its grammage.

### Applications:

- Paper
- Paperboard
- Solid Fibreboard

### Features:

- Sample support tray
- Bench mounting
- Easy operation

### Standards:

- AS/NZS 1301.405s
- TAPPI T410om
- SCAN P6:75
- CPPA D3

### Options:

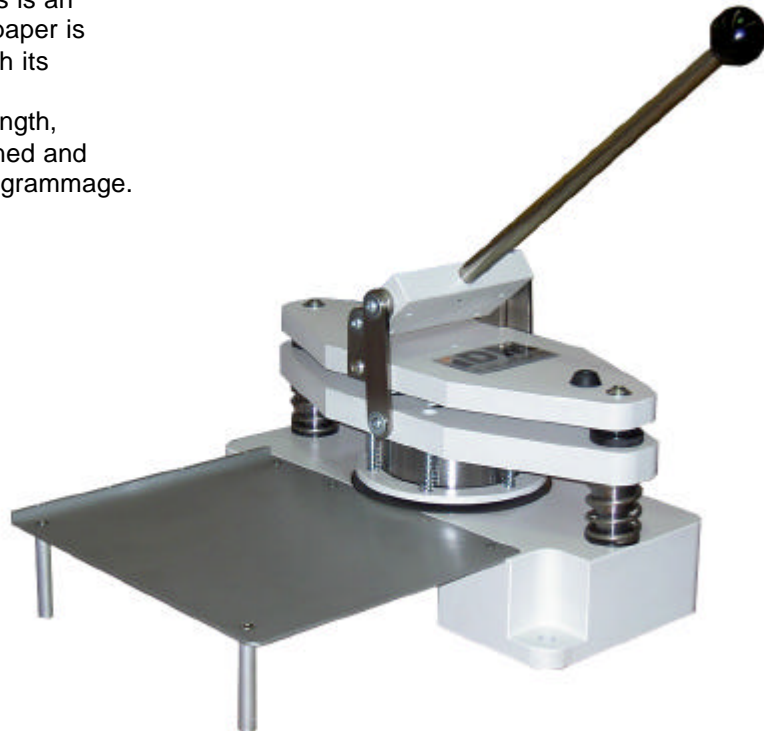
- N/A

### Connections:

- N/A

### Dimensions:

- **H:** 247mm
- **W:** 400mm
- **D:** 410mm
- **Weight:** 30kg



---

10-11 Colrado Court, Hallam, Victoria 3803 Australia.

Phone: +61 3 9708 6885

Fax: +61 3 9708 6770

Website: [www.idminstruments.com.au](http://www.idminstruments.com.au)

Email: [idm@idminstruments.com.au](mailto:idm@idminstruments.com.au)

All sizes and dimensions shown on this data sheet are averages only and images are as accurate as the medium allows. Products and details shown may change without notice as IDM Instruments Pty Ltd<sup>®</sup> reserves the right to make alterations to its product range from time to time.

Copy right © 2006 IDM Instruments Pty Ltd<sup>®</sup>. All Rights Reserved.