

Rotational Position Transducer

0...5, 0...10 VDC Output
Ranges: 0-45° to 0-200 Turns
Industrial Grade

RT8510



Specification Summary:

GENERAL

Full Stroke Range Options 0-0.125 to 0-200 turns
 Output Signal Options 0...5, 0...10 VDC
 Accuracy *see ordering information*
 Repeatability $\pm 0.05\%$ full stroke
 Resolution essentially infinite
 Enclosure Material powder-painted aluminum or stainless steel
 Sensor plastic-hybrid precision potentiometer
 Potentiometer Cycle Life *see ordering information*
 Shaft Loading up to 10 lbs. radial and 5 lbs. axial
 Starting Torque (25°C) 2.0 in.-oz., max.
 Weight, Aluminum (Stainless Steel) Enclosure 3 lbs. (6 lbs.) max.

ELECTRICAL

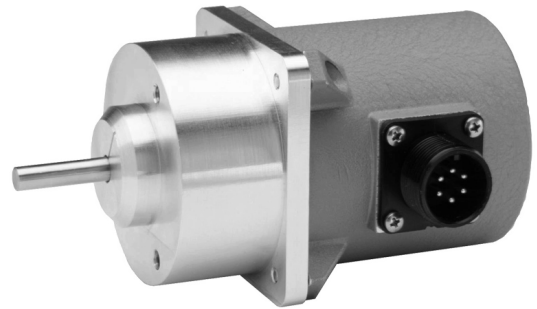
Input 14.5-40 VDC (10.5-40 VDC for 0...5 volt output)
 Input Current 10 mA maximum
 Output Impedance 1000 ohms
 Maximum Load 5000 ohms
 Zero Adjustment from factory set zero to 50% of full stroke range
 Span Adjustment to 50% of factory set span

ENVIRONMENTAL

Enclosure NEMA 4/4X/6, IP 67/68
 Operating Temperature -40° to 200°F (-40° to 90°C)
 Vibration up to 10 G's to 2000 Hz maximum

EMC COMPLIANCE PER DIRECTIVE 89/336/EEC

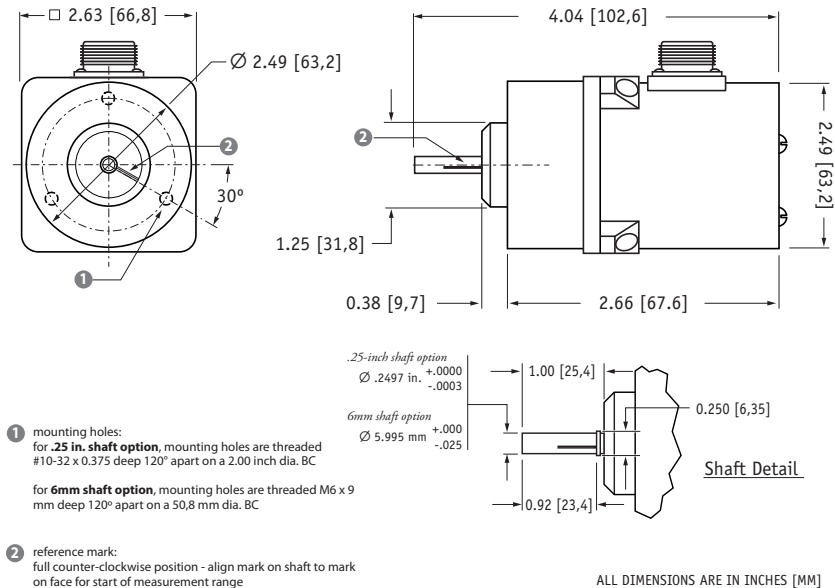
Emission/Immunity EN50081-2 / EN50082-2



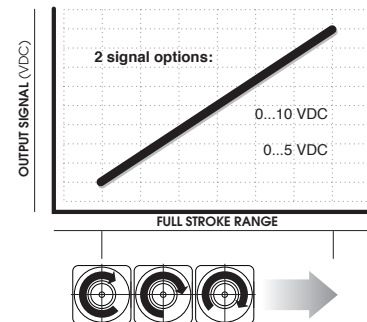
The RT8510 can operate from an unregulated 14.5 to 40 VDC power supply while providing a regulated output signal over it's full range from 1/8 of a turn up to 200 turns. It provides a 0 - 10 VDC position feedback signal proportional to the rotational position of the shaft

As a member of Celesco's innovative family of NEMA-4/ IP67 rotational transducers, the RT8510 offers numerous benefits including a zero and span adjust and a potentiometric sensor which provides an "absolute" feedback signal that is unaffected by power loss.

Outline Drawing



Output Signal



Ordering Information:

Model Number:

RT8510- order code: **R** - **A** **B** **C** - **1** **D** **E** **F** **G** **0**

Sample Model Number:

RT8510 - 0005 - 111 - 1110

- R** range: 5 turns (clockwise shaft rotations)
- A** enclosure: aluminum
- B** shaft diameter: .25 inches
- C** mounting style: face mount
- F** output signal: 0...10 VDC signal increasing clockwise
- G** electrical connection: 6-pin plastic connector

Full Stroke Range:

R order code:	R125	OR25	OR50	0001	0002	0003	0005	0010	0020
clockwise shaft rotations, min:	0.125	0.25	0.50	1	2	3	5	10	20
accuracy (% of f.s.):	1.25%	1.25%	0.5%	0.5%	0.5%	0.2%	0.2%	0.15%	0.15%
potentiometer cycle life*:	2.5×10^6	2.5×10^6	2.5×10^6	2.5×10^6	2.5×10^6	5×10^5	5×10^5	2.5×10^5	2.5×10^5





R order code:	0030	0040	0050	0080	0100	0120	0140	0180	0200
clockwise shaft rotations, min:	30	40	50	80	100	120	140	180	200
accuracy (% of f.s.):	0.15%	0.15%	0.15%	0.15%	0.15%	0.15%	0.15%	0.15%	0.15%
potentiometer cycle life*:	2.5×10^5	2.5×10^5	2.5×10^5	2.5×10^5	2.5×10^5	2.5×10^5	2.5×10^5	2.5×10^5	2.5×10^5

*-number of times the sensor shaft can be cycled back and forth from beginning to end and back to the beginning before any measurable signal degradation may occur.

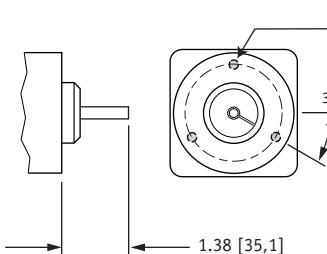
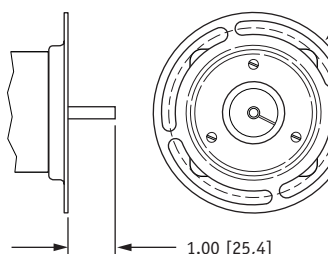
Enclosure Material:

A order code:	1	2
	powder-painted aluminum	303 stainless steel

Shaft Diameter:

B order code:	1	2	3	4
	0.25-in. diameter	6 mm diameter	0.25-in. dia. w/flats	6 mm dia. w/flats
				
	.2497 in. (+.0000 -.0003)	5.995 mm (+.000 -.025)	0.33 in. \leftarrow 0.025 in.	8.4 mm \leftarrow 0.64 mm

Mounting Style:

G order code:	1	2
	face mount	flange mount
		
	1.38 [35,1]	1.00 [25,4]
	mounting holes spaced 120° apart on 2.00 [50,8] BC 6mm shaft option threaded M6 x 9 mm deep .25 in. shaft option #10-32 x 0.375 inch deep	Ø 4.1 [104,14] .28 [7,1] wide mounting slot on a Ø3.50 [88,9] BC
		IN [MM]

RT8510 • Rotational Transducer: 0...5, 0...10 VDC Output Signal

Ordering Information:

Output Signals:

order code:	1	2	3	4
output signal options:	0...10 VDC 	10...0 VDC 	0...5 VDC 	5...0 VDC
input voltage:	14.5...40 VDC		10.5...40 VDC	

Example:

ordercode = **1** = 0...10 VDC

= 0 VDC
 = 10 VDC

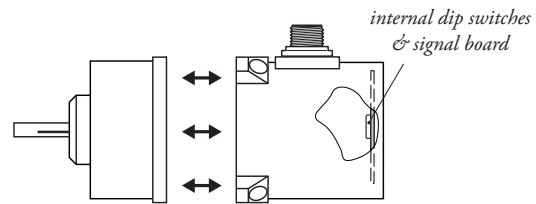
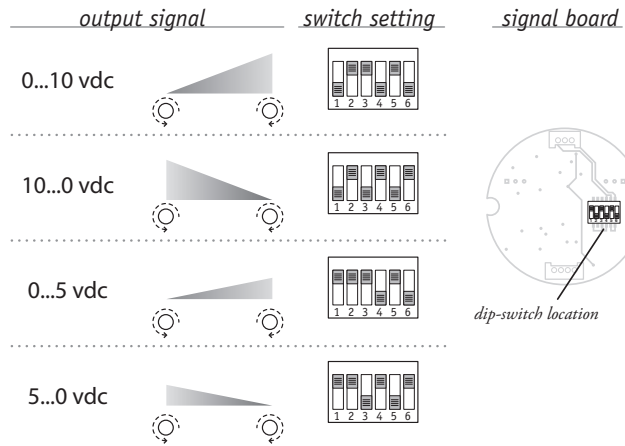
Electrical Connection:

order code:	1	2	3	4																
	6-pin plastic connector w/mating plug IP 67, NEMA 4X**, 6	10-ft. [3 M] waterproof cable IP 67, NEMA 4X**, 6	6-pin metal connector w/mating plug IP 65, NEMA 4	25-ft. [7.5 M] instrumentation cable IP 67, NEMA 6																
	 3.0 in. [78 mm]	 10 ft. x 0.4-in. dia. [3 M x 10 mm dia.] 18 AWG, type SJTW	 2.4 in. [60 mm]	 25 ft. x 0.2-in. dia. [7.5 M x 5 mm dia.] 24 AWG, shielded																
	1/2 - 5/16" [14 - 8 mm] cable dia. 16 AWG max conductor size connector: MS3102E-14S-6P mating plug: MS3106E-14S-6S		3/8-in. [9 mm] max cable dia. 16 AWG max conductor size connector: MS3102E-14S-6P mating plug: MS3106E-14S-6S																	
order code:	5	6	7																	
	100-ft. [30 M] waterproof cable IP 67, NEMA 4X**, 6	10-ft. [3 M] pressure tested* waterproof cable IP 68, NEMA 4X**, 6P	100-ft. [30 M] pressure tested* waterproof cable IP 68, NEMA 4X**, 6P																	
	 100 ft. x 0.4-in. dia. [30 M x 10 mm dia.] 18 AWG, type SJTW	 10 ft. x 0.4-in. dia. [3 M x 10 mm dia.] 18 AWG, type SJTW	 100 ft. x 0.4-in. dia. [30 M x 10 mm dia.] 18 AWG, type SJTW																	
	6-pin Mating Plug <table border="0"> <tr> <td>pin</td> <td>signal</td> </tr> <tr> <td>A</td> <td>input voltage</td> </tr> <tr> <td>B</td> <td>output signal</td> </tr> <tr> <td>C</td> <td>common</td> </tr> </table>		pin	signal	A	input voltage	B	output signal	C	common	Waterproof Cable <table border="0"> <tr> <td>color code</td> <td>signal</td> </tr> <tr> <td>WHITE</td> <td>input voltage</td> </tr> <tr> <td>GREEN</td> <td>output signal</td> </tr> <tr> <td>BLACK</td> <td>common</td> </tr> </table>		color code	signal	WHITE	input voltage	GREEN	output signal	BLACK	common
pin	signal																			
A	input voltage																			
B	output signal																			
C	common																			
color code	signal																			
WHITE	input voltage																			
GREEN	output signal																			
BLACK	common																			
			Instrumentation Cable <table border="0"> <tr> <td>color code</td> <td>signal</td> </tr> <tr> <td>RED</td> <td>input voltage</td> </tr> <tr> <td>GREEN</td> <td>output signal</td> </tr> <tr> <td>BLACK</td> <td>common</td> </tr> </table>		color code	signal	RED	input voltage	GREEN	output signal	BLACK	common								
color code	signal																			
RED	input voltage																			
GREEN	output signal																			
BLACK	common																			

Notes: { * -Test pressure: 100 feet [30 meters] H₂O (40 PSID); Test Medium: Air; Duration: 2 hours.
 ** -NEMA 4X applies to stainless steel enclosure only.

Output Signal Selection:

The output signal direction can be reversed at any time by simply changing the dip-switch settings found on the internal signal board. After the settings have been changed, adjustment of the Zero and Span trimpots will be required to precisely match signal values to the beginning and end points of the stroke.



To gain access to the signal board, remove four Allen-Head Screws and separate the two case halves.